

## Filtration system

This filtering system has been designed to remove any impurities coming from utilities in general. Made with adequate capacity to filter the entire process flow rate connected to centralized refrigeration units and/or adiabatic cooling systems, they are equipped with pressure sensors and are connected to the remote panel (3PR) for monitoring the pressure drop and the automatic maintenance warning.

## Advantages

- Reliable high efficiency filtration
- Maintain plant efficiency and reliability
- Stainless and easy to clean
- Automatic maintenance notice

## Main features

- Wide range of capacities from 20 to 450 m<sup>3</sup>/hr
- Constructed entirely in stainless steel
- Includes electronic pressure sensors
- Inspectable and complete with drain valve



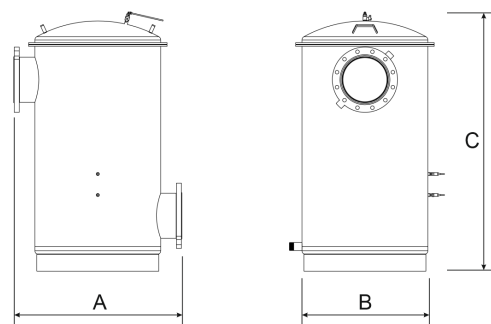
Stainless steel filtration systems complete with electronic control up to 450 m<sup>3</sup>/hr

## Technical data

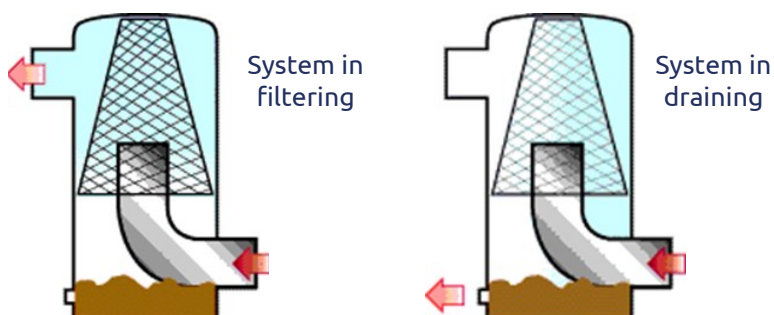
Model		KTF 2"	KTF 3"	KTF 4"	KTF 6"	KTF 8"	KTF 10"
Max flow	m <sup>3</sup> /h	22	45	80	165	300	450
Max working pressure	bar	8,6	8,6	8,6	10	10	10
Filtering capacity	micron	112-117	112-117	112-117	112-117	112-117	112-117
Screen surface area	cm <sup>2</sup>	787	1290	2258	4838	8387	12903
Wire diameter	micron	356-254	356-254	356-254	356-254	356-254	356-254
Mesh		≈ 120	≈ 120	≈ 120	≈ 120	≈ 120	≈ 120
Connections	Victaulic®	2"	3"	4"	6"	8"	10"
Drain water connections	Flush Port	1"1/2 (DN40)	1"1/2 (DN40)	1"1/2 (DN40)	1"1/2 (DN40)	1"1/2 (DN40)	1"1/2 (DN40)
Drain & wash connections		1"1/2 (DN40)	1"1/2 (DN40)	1"1/2 (DN40)	1"1/2 (DN40)	1"1/2 (DN40)	1"1/2 (DN40)
Installation type		In linea con tubazioni	In linea con tubazioni	A terra	A terra	A terra	A terra
Net weight	kg	7	14	27	57	91	181

## Dimensional technical data

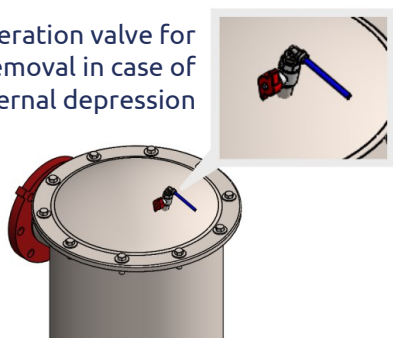
Model			KTF 2"	KTF 3"	KTF 4"	KTF 6"	KTF 8"	KTF 10"
Dimensions	A	mm	261	379	488	622	796	1.100
	B Ø	mm	222	228	292	431	584	762
	C	mm	416	562	643	902	1.229	1.512



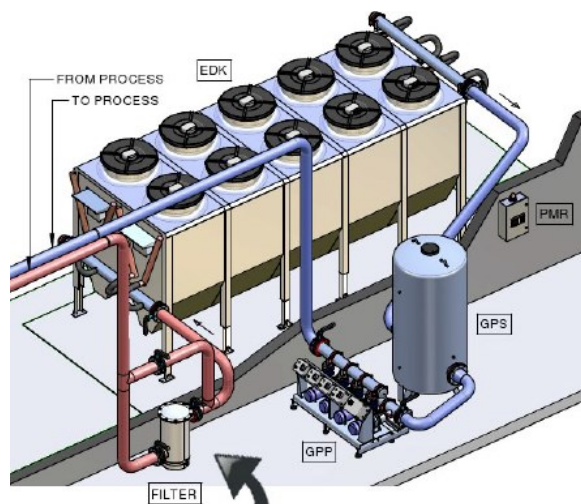
## Technical features



Aeration valve for cover removal in case of internal depression



Application scheme with KTF filtering system



## Order code

